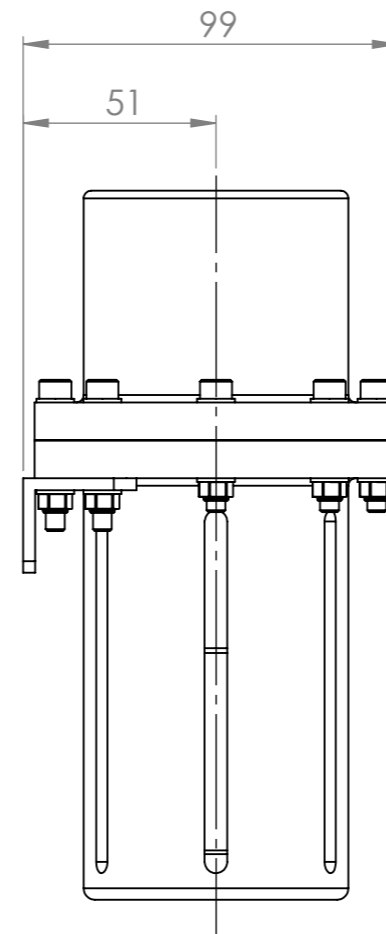
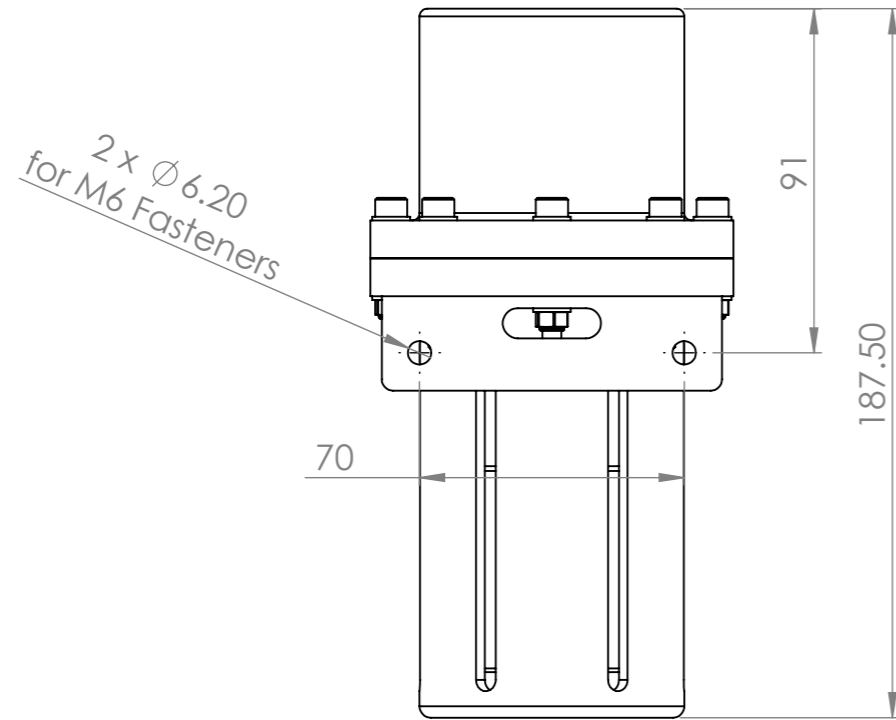
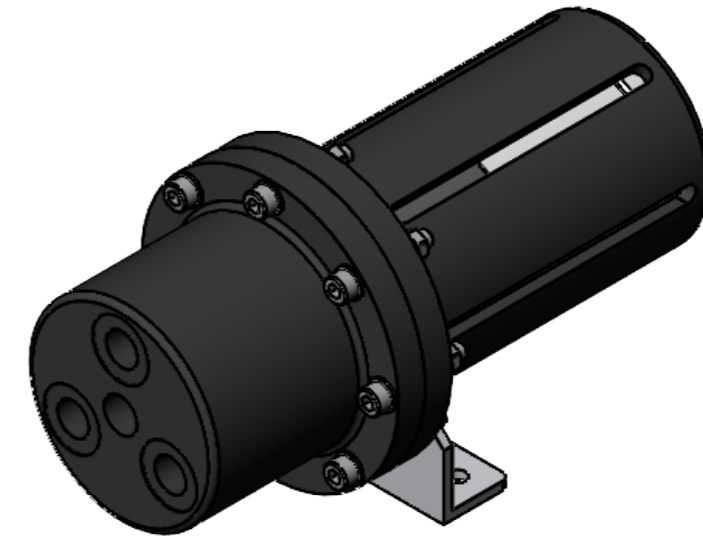
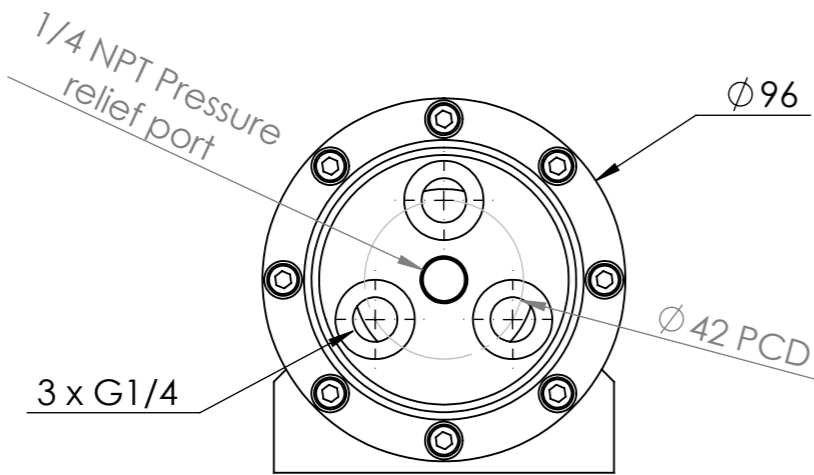


**DO NOT SCALE DRAWING  
THIRD ANGLE PROJECTION**



**NOTES**

1. Compensator capacity: 275cc
2. Max working pressure: 1.1bar

REV	DRAWN	APPV'D	DATE	DESCRIPTION
1	DGM		18/07/24	ISSUED FOR INFORMATION

**RECORD OF REVISIONS**

Macduff Robotics Ltd  
Aberdeen, Scotland.  
www.macduff-robotics.com  
enquiries@macduff-robotics.com

MATERIAL:  
-  
FINISH:  
-  
TOLERANCE:  
+/- 0.1mm  
WEIGHT:

TITLE:  
**275cc Compensator Assembly**  
3 x 1/4 BSPP Ports  
SHEET 1 OF 1

DWG NO. **GA0010** REVISION **1**  
SCALE:1:2 A3

DIMENSIONS ARE IN MILLIMETERS, UNLESS OTHERWISE SPECIFIED